

DATA SHEET

Part No.	AN15852A
Package Code No.	QFH080-P-1420H

Contents

■ Applications	3
■ Package	3
■ Type	3
■ Block Diagram	4
■ Pin Descriptions	5
■ Absolute Maximum Ratings	6
■ Operating Supply Voltage Range	6

AN15852A

Audio, video switch IC

■ Applications

- ICs for TV

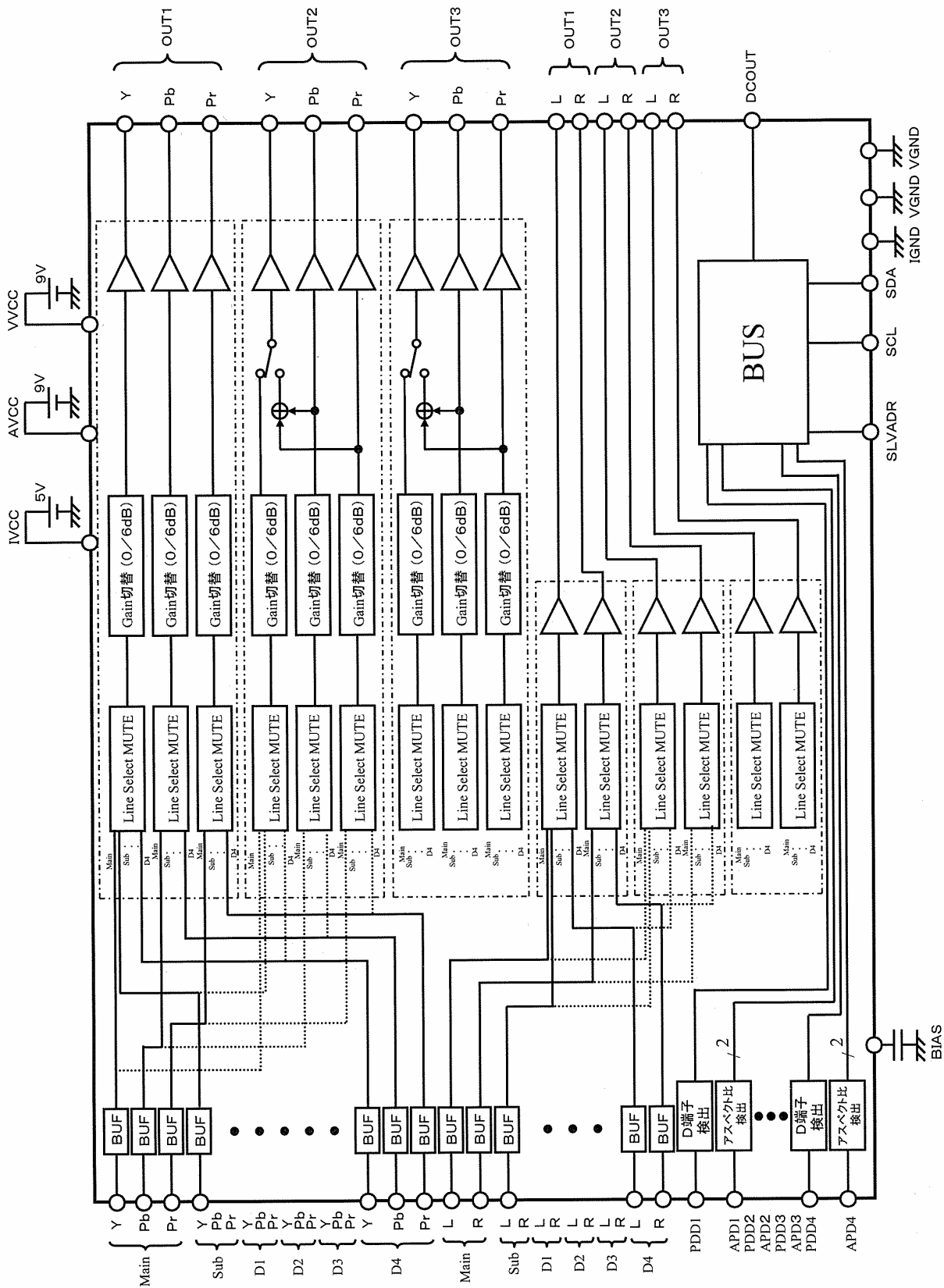
■ Package

- Four direction 80-pin plastic package (QFH type)

■ Type

- Silicon monolithic BICMOS IC

■ Block Diagram



■ Pin Descriptions

Pin No.	Description	Pin No.	Description
1	IVCC	33	ALO2
2	SDA	34	AGND8
3	SCL	35	RO2
4	IGND	36	BO2
5	ID3Y	37	VGND8
6	VGND3	38	YO2
7	ID3B	39	BIAS
8	PDD3	40	ARO1
9	ID3R	41	ALO1
10	APD3	42	AGND7
11	L3	43	RO1
12	R3	44	BO1
13	AGND3	45	VGND7
14	ID4Y	46	YO1
15	VGND4	47	VVCC
16	ID4B	48	ID1Y
17	PDD4	49	VGND1
18	ID4R	50	ID1B
19	APD4	51	PDD1
20	L4	52	ID1R
21	R4	53	APD1
22	AGND4	54	L1
23	ARO3	55	R1
24	ALO3	56	AGND1
25	AGND9	57	ID2Y
26	RO3	58	VGND2
27	BO3	59	ID2B
28	DCOUT	60	PDD2
29	VGND9	61	ID2R
30	YO3	62	APD2
31	AVCC	63	L2
32	ARO2	64	R2

■ Pin Descriptions (continued)

Pin No.	Description	Pin No.	Description
65	AGND2	73	SLVADR
67	IMY	74	ISY
68	IMB	75	ISB
69	IMR	76	ISR
70	VGND5	77	VGND6
71	L5	78	L6
72	R5	79	R6
73	AGND5	80	AGND6

■ Absolute Maximum Ratings

A No.	Parameter	Symbol	Rating	Unit	Note
1	Storage temperature	T_{stg}	-55 to +150	°C	*1
2	Operating ambient temperature	T_{opr}	-20 to +75	°C	*1
3	Operating ambient atmospheric pressure	P_{opr}	$1.013 \times 10^5 \pm 0.61 \times 10^5$	Pa	
4	Operating constant gravity	G_{opr}	9 810	m/S ²	
5	Operating shock	S_{opr}	4 900	m/S ²	
6	Supply voltage	V_{CC}	V_{CC1}, V_{CC2}	10.0	V
			V_{DD}	6.0	
7	Supply current	I_{CC}	I_{CC1}	60.0	mA
			I_{CC2}	20.0	
			I_{DD}	12.0	
8	Power dissipation	P_D	872	mW	*2

Note) *1: Expect for the storage temperature and operating ambient temperature, all ratings are for $T_a = 25^\circ\text{C}$.

*2: The power dissipation shown is the value for $T_a = 75^\circ\text{C}$. For the independent IC without a heat sink.

■ Operating Supply Voltage Range

Parameter	Symbol	Range	Unit	Note
Supply voltage range	V_{CC1}	8.5 to 9.5	V	
	V_{CC2}	8.5 to 9.5		
	V_{DD}	4.7 to 5.3		

Request for your special attention and precautions in using the technical information and semiconductors described in this book

- (1) If any of the products or technical information described in this book is to be exported or provided to non-residents, the laws and regulations of the exporting country, especially, those with regard to security export control, must be observed.
- (2) The technical information described in this book is intended only to show the main characteristics and application circuit examples of the products, and no license is granted under any intellectual property right or other right owned by our company or any other company. Therefore, no responsibility is assumed by our company as to the infringement upon any such right owned by any other company which may arise as a result of the use of technical information described in this book.
- (3) The products described in this book are intended to be used for standard applications or general electronic equipment (such as office equipment, communications equipment, measuring instruments and household appliances).
Consult our sales staff in advance for information on the following applications:
 - Special applications (such as for airplanes, aerospace, automobiles, traffic control equipment, combustion equipment, life support systems and safety devices) in which exceptional quality and reliability are required, or if the failure or malfunction of the products may directly jeopardize life or harm the human body.
 - Any applications other than the standard applications intended.
- (4) The products and product specifications described in this book are subject to change without notice for modification and/or improvement. At the final stage of your design, purchasing, or use of the products, therefore, ask for the most up-to-date Product Standards in advance to make sure that the latest specifications satisfy your requirements.
- (5) When designing your equipment, comply with the range of absolute maximum rating and the guaranteed operating conditions (operating power supply voltage and operating environment etc.). Especially, please be careful not to exceed the range of absolute maximum rating on the transient state, such as power-on, power-off and mode-switching. Otherwise, we will not be liable for any defect which may arise later in your equipment.
 - Even when the products are used within the guaranteed values, take into the consideration of incidence of break down and failure mode, possible to occur to semiconductor products. Measures on the systems such as redundant design, arresting the spread of fire or preventing glitch are recommended in order to prevent physical injury, fire, social damages, for example, by using the products.
- (6) Comply with the instructions for use in order to prevent breakdown and characteristics change due to external factors (ESD, EOS, thermal stress and mechanical stress) at the time of handling, mounting or at customer's process. When using products for which damp-proof packing is required, satisfy the conditions, such as shelf life and the elapsed time since first opening the packages.
- (7) This book may be not reprinted or reproduced whether wholly or partially, without the prior written permission of Matsushita Electric Industrial Co., Ltd.